

ERTL TRACTOR-CYCLE ASSEMBLY INSTRUCTIONS

ERTL Tractor-Cycle's durable construction offers your child years of enjoyment when properly assembled and maintained. Please read all instructions carefully prior to beginning assembly and keep this instruction manual on file for future reference.

ATTENTION: This product should, at all times, be used by the child under direct supervision of an adult and should not be used on or near roads, stairways, hills or pool areas. Children must wear shoes.



Requires assembly by an adult prior to use.

TOOLS REQUIRED:

- Medium Phillips and straight screwdrivers
- Pliers or visegrips
- Oil
- Crescent wrench or 3/8-, 7/16-, and 1/2-inch open-end wrenches
- Hammer
- Block of wood (2"x4"x10")



FAMILIARIZE YOURSELF WITH THIS HARDWARE

1/4-20 x 3.0" Screw
1 Each



10-24 x 1 1/4" Screw
1 Each



10-24 x 1.0" Screw
4 Each



1/4-20 x 3/4" Bolt
6 Each



10-24 x 1 1/8" Screw
1 Each



10-24 x 3/4" Screw
2 Each



#8 x 3/4" Screw
2 Each



9/16 O.D. Washer
2 Each



Cotter Key
2 Each



1/4-20 Kepnut
7 Each



10-24 Kepnut
7 Each



10-24 Square Nut
1 Each



Capnut 7/16"
7 Each



3/4 O.D. Washer
2 Each

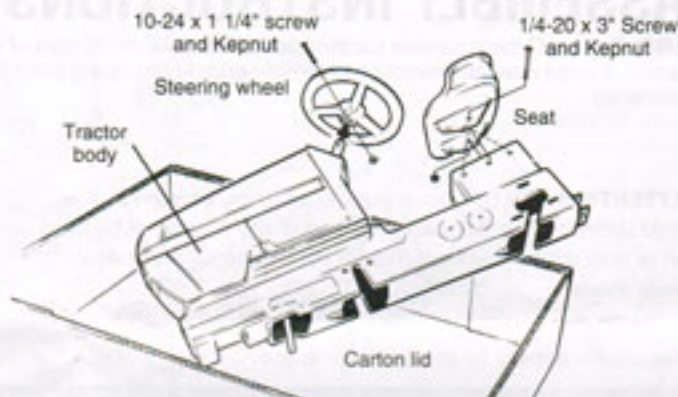


15/16 O.D. Washer
4 Each



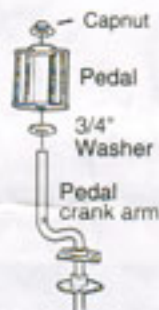
STEP 1

In order to protect your flooring or carpet from damage or stains it is suggested that you assemble your tractor-cycle in the lid of the shipping carton. To begin assembly, lay the tractor body on its side over one wall of carton lid, as shown. Place steering wheel onto steering shaft. Align hole in steering shaft with those in steering wheel and insert 10-24 x 1 1/4" screw through holes. Thread 10-24 Keprnut onto screw and tighten. Place seat into the desired position on seat base of tractor body, (this can be further adjusted to suit child after final assembly). Align holes in seat with desired hole in body and tap the 1/4-20 x 3" screw through the holes with a hammer. Thread 1/4-20 Keprnut on and tighten.

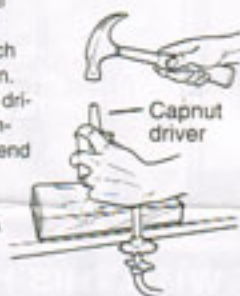


STEP 2

A Assemble pedals to pedal crank arm. Slip 3/4" washer onto one end of pedal crank. Slip pedal onto crank with circular recess at top. Place capnut into position and proceed to Subassembly B.



B Place pedal crank over edge of workbench or table, as shown. Using the capnut driver supplied, hammer capnut onto end of pedal crank. Repeat Subassemblies A and B.

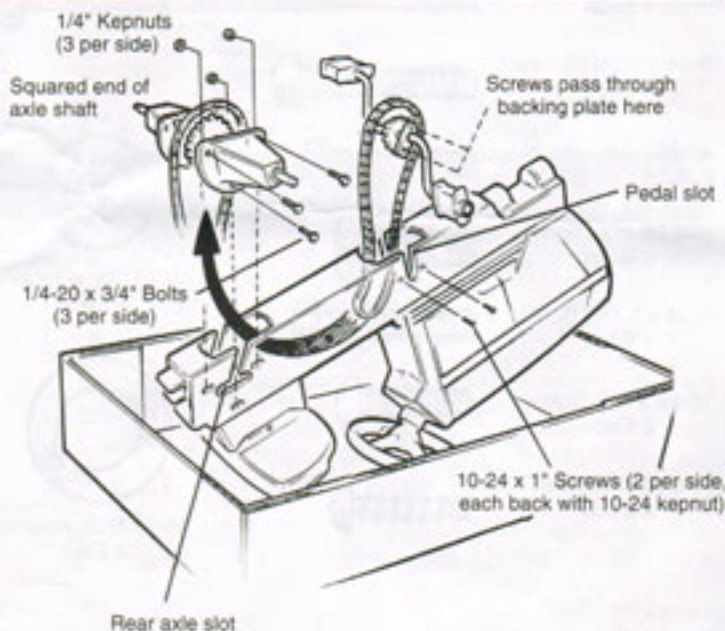


Insert rear axle bearing into rear axle housing. Place rear axle housing on a block of wood as shown. Place nylon axle bearing into position with tapered end into axle housing. Using a piece of scrap wood and a hammer, seat bearing into housing. Repeat for other housing.



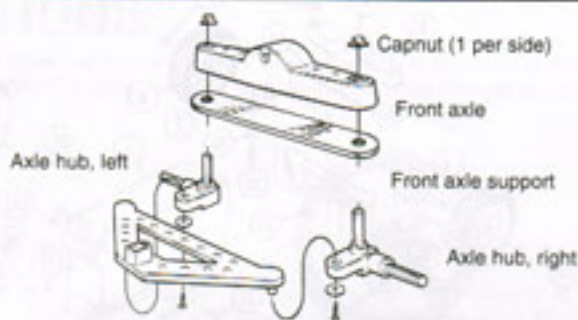
STEP 3

Turn tractor over in carton lid so that it rests on seat and steering wheel. Remove chain from its protective carton, (careful, it's a bit greasy), drape chain over assembled pedal crank arm as shown, and feed chain through "chain tunnel" of body toward rear of tractor, finally resting pedal crank arm in pedal slot. Reaching into rear chain access hole of body, lift end of chain out of body. Pass rear axle through loop of chain; squared end of rear axle shaft must be on left side of tractor when upside down, (see illustration). Place rear axle in rear axle slot of body. Pass 10-24 x 1" screws through body and pedal bearing backing plate, trapping pedal bearing into cupped recess in body; thread 10-24 Keprnuts onto bolts and tighten. Slide assembled axle housing (from Subassembly Step 2) over one end of axle. One at a time, pass 1/4-20 x 3/4" bolts through holes in housing and body, (this is easier with housing in full forward position). Thread nuts onto bolts—DO NOT TIGHTEN. Repeat this assembly for other side. To adjust chain tension, grab rear axle with fingers on both sides of gear, pull chain back so that chain is snug. While holding gear in this position, tighten one bolt on each side to hold axle in place, then tighten remainder of bolts. Rotate pedal to check operation and oil chain liberally while rotating.



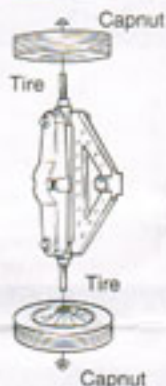
STEP 4

Assemble front axle. Slip the metal front axle support, with flat side up, (center groove should face down), over right axle hub pin as shown. Then press front axle hub pin through front axle as shown, (it does not matter which end of front axle you do first as both ends are the same), and secure with a capnut using capnut driver and a hammer, (again, place it on a block of scrap wood first). Repeat for left side. Next, insert pin on left end of tie rod through hole in left axle hub arm as shown. Slip a 9/16" O.D. washer onto #8 x 3/4" screw and screw into pin on tie rod, as illustrated. Repeat for right side.

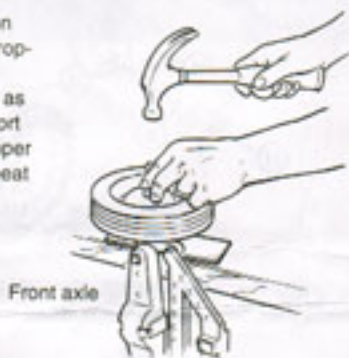


STEP 5

Assemble front wheels to front axle. Place a front wheel onto axle hub spindle; position a capnut onto end of axle hub spindle.

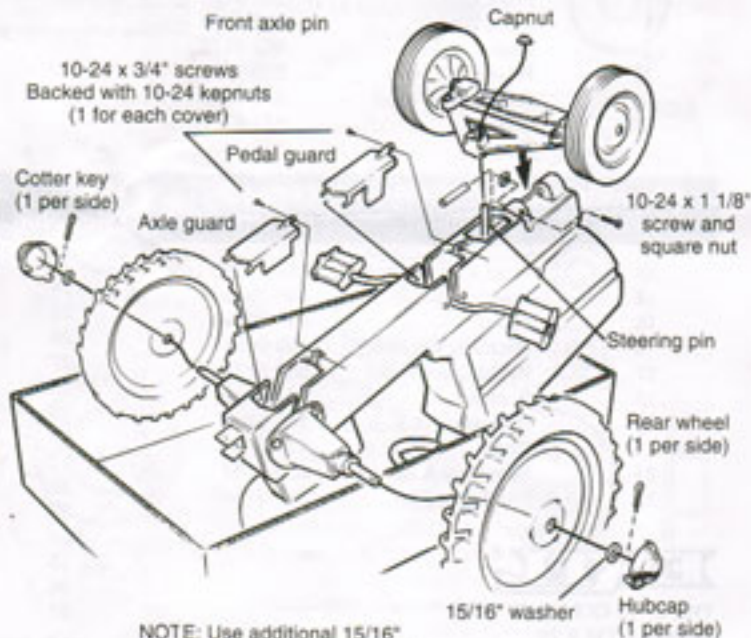


Carefully place front axle on edge of workbench (or a properly protected table) and pound capnut onto spindle as shown. It is critical to support axle hubs as shown for proper front wheel alignment. Repeat for opposite side.



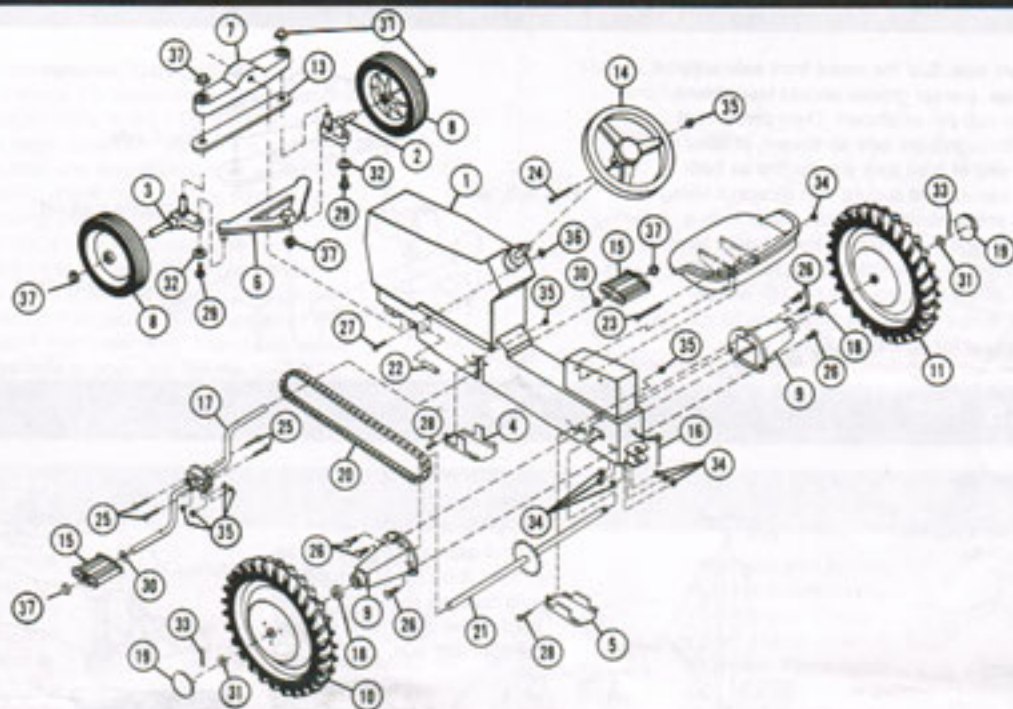
STEP 6

Position tractor close to one edge of carton lid. Find the rear wheel which has a slot for the axle on one side, and slide it onto the right axle as shown with the slot to the outside. Slide 15/16" O.D. washer onto axle. Insert cotter key through hold in one side of axle and use a pair of pliers to bend the prongs around axle. Pound hubcap into position using a block of wood and a hammer. Repeat for other side; make sure you keep the hubcap side of the wheel to the outside. **IMPORTANT!** Any end play between washer and cotter pin of over 1/8 inch should be taken up by adding additional 15/16" O.D. x 17/32" I.D. washers. Secure rear end of axle guard into opening in body with tabs inside and cover on outside. Fasten front end of guard to body using 10-24 x 3/4" screw and 10-24 kepnut. Repeat for pedal guard. Place assembled front axle in body as illustrated. With the tractor in a nose-down position, slide the front axle pin into place and secure with the 10-24 x 1 1/8" screw and 10-24 square nut. Insert steering pin through tie rod as shown, making sure pins are facing up. Drive a capnut onto steering pin. Flip Tractor-Cycle over and apply decals per directions on the sheet. Your ERTL Tractor-Cycle is finished and ready for years of unending play!



NOTE: Use additional 15/16" washer(s) to take up end play

PARTS LIST



Ref. No. Description

JOHN DEERE Part No.

- 1 Body
- 2 Right Axle Hub
- 3 Left Axle Hub
- 4 Pedal Guard
- 5 Axle Guard
- 6 Tie Rod
- 7 Front Axle
- 8 Front Wheels
- 9 Rear Axle Hub
- 10 Rear Idle Wheel
- 11 Rear Drive Wheel
- 12 Seat
- Decals

NLA
NLA
NLA
NLA
NLA
TBE10055
TBE10052
TBE10045
TBE10050
TBE10039
TBE10040
NLA
NLA

COMMON PARTS

Ref. No. Description

Part No.

- 13 Front Axle Support
- 14 Steering Wheel
- 15 Pedal
- 16 Hitch Pin Assembly
- 17 Pedal Crank Arm
- 18 Bushing
- 19 Hubcap
- 20 Chain
- 21 Rear Axle & Sprocket
- 22 Front Axle Pin

TBE10047
TBE10030
TBE10080
TBE10017
TBE10049
TBE10032
TBE10001
TBE10067
TBE10051
NLA

HARDWARE

Ref. No.

Description

041-1215*

- 23 1/4-20 x 3" Screw
- 24 10-24 x 1 1/4" Screw
- 25 10-24 x 1" Screw
- 26 1/4-20 x 3/4" Bolt
- 27 10-24 x 1 1/8" Screw
- 28 10-24 x 3/4" Screw
- 29 8 x 3/4" Screw
- 30 3/4 O.D. Washer
- 31 15/16 O.D. Washer
- 32 9/16 O.D. Washer
- 33 Cotter Pin
- 34 1/4-20 Kepnut
- 35 10-24 Kepnut
- 36 10-24 Square Nut
- 37 7/16" Capnut



THE ERTL COMPANY, INC.
Highways 136 & 20
Dyersville, Iowa 52040-0500

* Bagged Sets

099-0552R
6-95